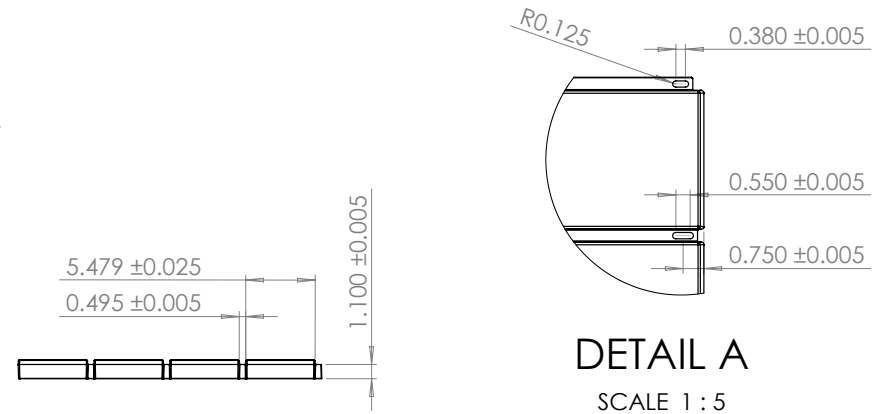
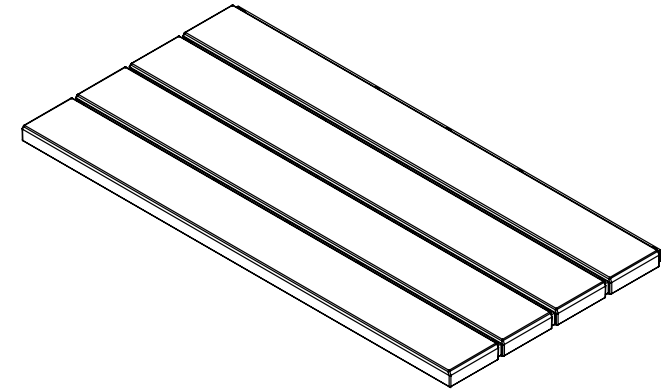
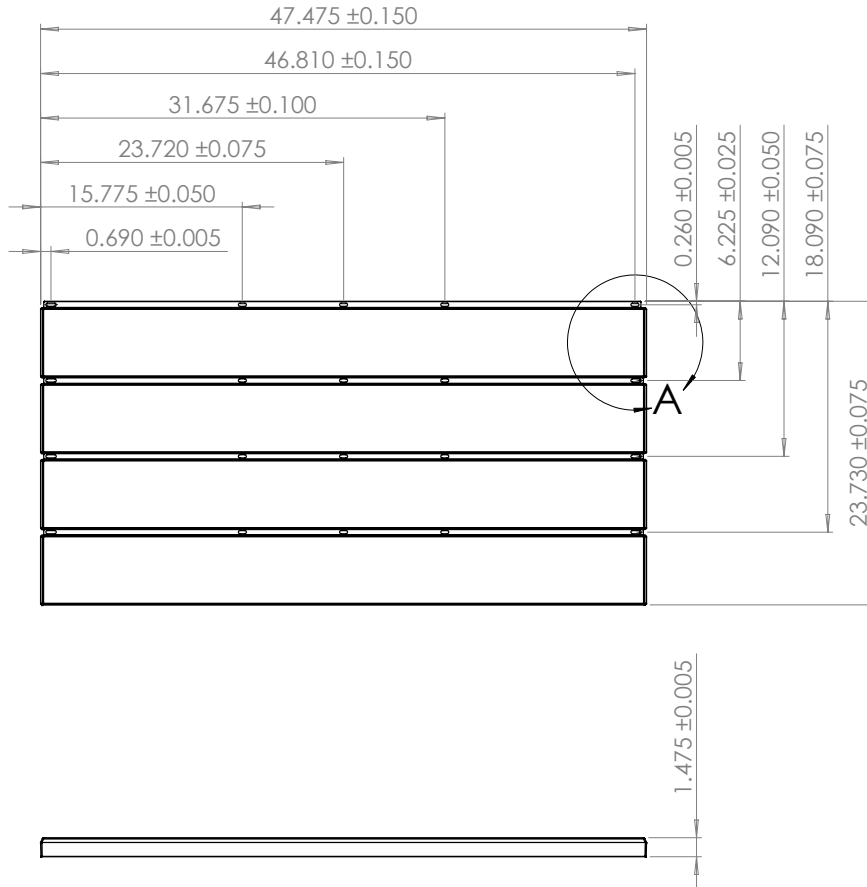


REVISIONS					
REV.	DESCRIPTION	ECN#	DRWN	DATE	APPROVED
0	INITIAL RELEASE	0	PF	24/10/2016	RA



NOTES: TEXTURE NOT SHOWN

UNLESS OTHERWISE SPECIFIED:		NAME	DATE	PART FILE:	
DIMENSIONS ARE IN INCHES		DRAWN	PF	Wood Series	
TOLERANCES:		CHECKED	GR	TITLE:	
FRACTIONAL: \pm		ENG APPR.	RA	Wood Series 4824	
ANGULAR: MACH: \pm BEND: \pm		MFG APPR.		Q.A.	
TWO PLACE DECIMAL: \pm				SIZE DWG. NO.	
THREE PLACE DECIMAL: \pm				B 912-P-16-001-0	
INTERPRET GEOMETRIC TOLERANCING PER:		MATERIAL		REV	
MATERIAL		PP20CaCO3		0	
FINISH		GRAIN TEXTURE		SCALE: 1:10	
DO NOT SCALE DRAWING		DO NOT SCALE DRAWING		WEIGHT: 13.4 lbs	
		SUNWALK SUPERIOR SURFACES		SHEET 1 OF 1	